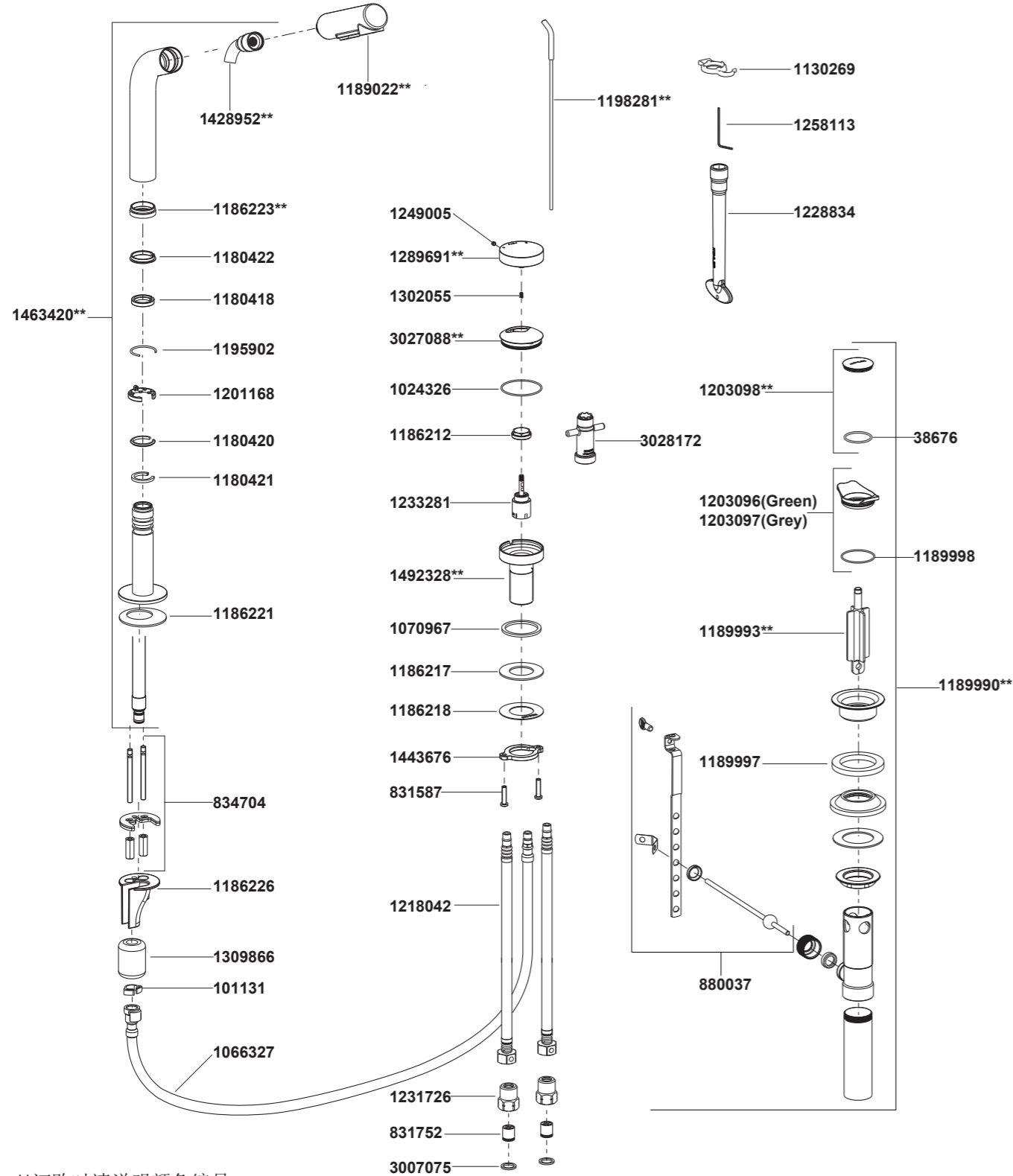


31241T-8A 梳洗脸盆龙头-双孔



**订购时请说明颜色编号

**Color code must be specified when ordering

31241T-8A 梳洗脸盆龙头-双孔

安装之前

所有的资料是按最新出版的产品资料编写而成。科勒公司保留任何时候不经通知即可改变产品特性、包装或产品可供类型的权利。

说明书包括重要的安装、保养及清洁方面的内容，请把这些资料交给用户阅读。

注意事项：

1. 一定要先彻底冲洗供水管以清除管道中的杂质。
2. 如果是安装新的脸盆，可将水龙头先装到脸盆上。
3. 推荐工作压力：2~5bar。
4. 花洒最高工作压力：0.5MPa(5bar)。水压超过0.5MPa(5bar)须安装减压阀。花洒最高工作温度及环境温度：60°C。请特别注意花洒须远离加热器，否则可能损坏花洒及密封件，甚至对使用者造成伤害。

BEFORE YOU BEGIN

All information is based on the latest product information available at the time of publication. Kohler Co. reserves the right to make changes in product characteristics, packaging, or availability at any time without notice.

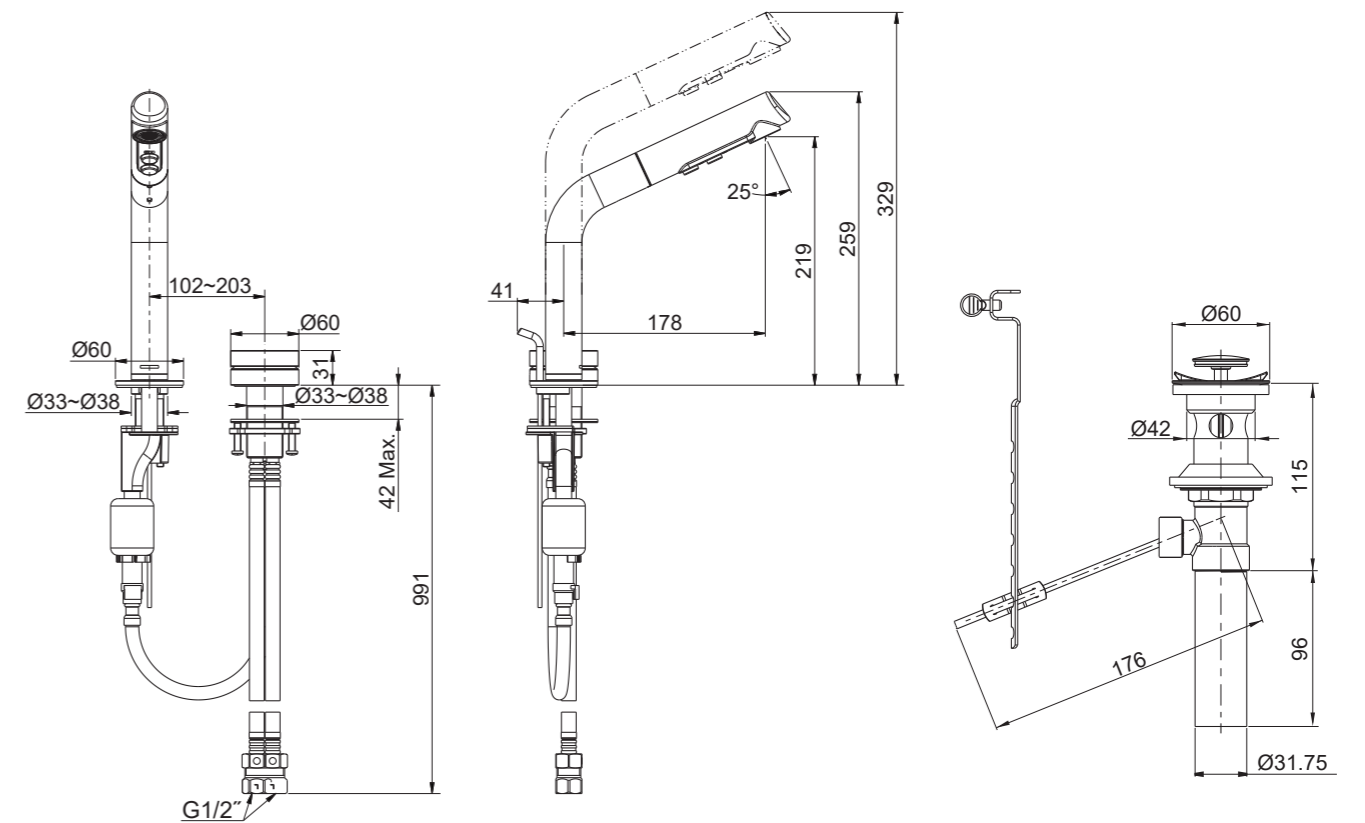
Please leave these instructions for the consumer. They contain important information.

NOTE:

1. Flush the water supply pipes thoroughly to remove debris.
2. For new installations, assemble the faucet to lavatory before installation.
3. Recommended working pressure: 2 to 5bar.
4. The highest working pressure for spray is 0.5MPa (5bar). If it exceeds 0.5MPa(5bar), a pressure reducer is needed. The highest water and environment temperature is 60°C. Please keep spray away from heater, or it may become damaged and cause to injury to the user.

安装尺寸

ROUGH-IN DIMENSIONS



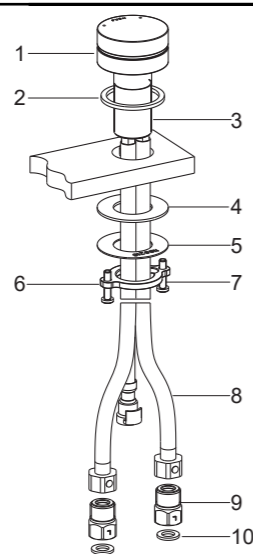
安装步骤

如何安装把手组件

将垫片(2)装入把手组件(1)底部凹槽中, 将带有垫片的把手组件插入脸盆安装孔中, 调整把手, 使把手上的红点在左边, 蓝点在右边。

确保螺钉(7)在安装环(6)上。从脸盆下方依次将垫片(4)、金属垫片(5)和安装环装到本体(3)上。旋上安装环(6), 锁紧螺钉(7)以固定把手组件。

把接头(9)带垫片(10)接到水源, 然后将进水软管(8)与接头相连, 带有红点的软管接热水, 带有蓝点的软管接冷水。



INSTALLATION

How to Install the Handle Kit

Install the washer(2) into the groove of the handle kit(1). Insert the handle kit with washer to the mounting hole. Adjust the handle. Make sure the handle with red dot is on the left side and blue dot on the right side.

Ensure the screws(7) are in the threaded ring(6). From underside, slide the washer(4), metal washer(5) and threaded ring to the body(3). Screw the threaded ring(6). Tighten the screws(7) to secure the handle kit.

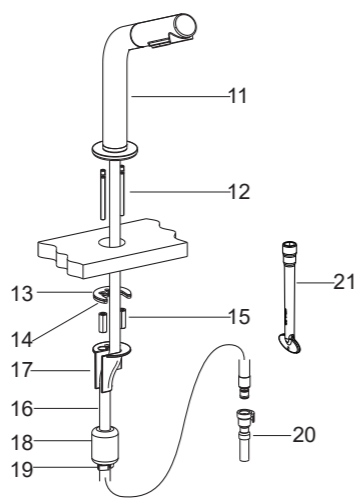
Attach the connectors(9) with the washers(10) to water supplies. Attach the inlet hoses(8) to the connectors. The inlet hose with red dot connects to hot water. The inlet hose with blue dot connects to cold water.

如何安装出水口

将固定螺栓(12)装入到出水口组件(11)底部, 将出水口组件插入脸盆安装孔中。从脸盆下方将垫片(13)、钢垫(14)和螺母(15)装到出水口组件上。调整出水口组件的位置, 用扳手(21)锁紧螺母(15), 固定出水口组件。

去掉软管(16)的保护套, 将软管放入软管导向套(17)内, 再将导向套装到固定螺栓(12)上。

将重锤(18)装到软管(16)上, 调整重锤到合适位置后, 将塑料夹(19)装到软管上并扣紧。将软管(16)与把手组件软管(20)连接。



How to Install the Spout

Insert the mounting stud(12) into the spout kit(11) bottom. Fit the spout kit into the hole of the lavatory. From underside, install the washer(13), the stainless steel washer(14) and the nut(15). Position the spout kit. Tighten the nut(15) to secure the spout kit by wrench(21).

Remove the hose(16) protector, put the hose into the hose guide(17). Insert the hose guide into the mounting stud(12).

Put the weight(18) onto the hose(16). Adjust the weight to the appropriate position. Install the clip(19) to the hose. Connect the hose(16) and hose(20).

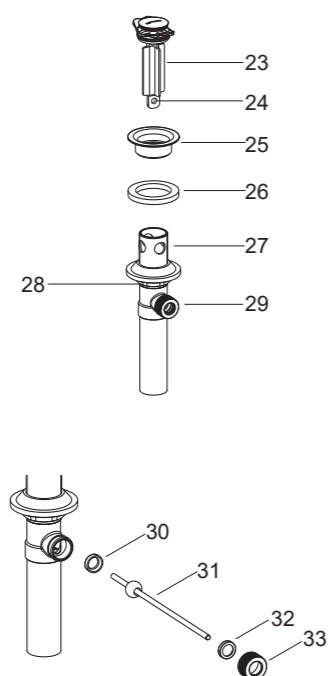
如何安装排水器

将法兰盘(25)从排水本体(27)取下, 在法兰盘底部套上垫片(26)。将排水本体从底下插入洗脸盆, 排水杆口(29)朝向后方, 把法兰盘旋入排水本体中, 从下方用手拧紧锁紧螺母(28)。把止水塞组件(23)放入排水本体中, 调整止水塞使止水塞末端的洞口(24)靠近并对正排水杆的洞口。

注意: 如果需要, 可直接在法兰盘(25)底面沿周围涂上一圈密封油灰, 而不使用垫片(26)。

将橡胶垫片(30)装进排水杆的洞口里, 再把另一个塑料垫片(32)和固定螺母(33)套进球动杆(31)长的一端。把球杆组件插入排水球杆的洞中并穿过止水塞, 拧紧固定螺母。

确保球动杆指向脸盆后方, 拧紧排水本体上的锁紧螺母(28), 去除多余油灰。



How to Install the Drain

Remove the flange(25) from the drain body (27). Slide the washer(26) onto the underside of the drain flange. Insert the drain body from underside of lavatory with drain lever hole(29) facing to the back of the lavatory. Thread the flange onto the drain body. Tighten the locknut(28) by hand from underside. Place the stopper kit(23) into the drain body aligning the flat side of the stopper hole(24) with the drain lever hole.

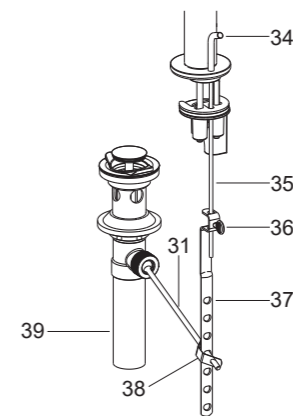
NOTE: If needed apply a ring of plumbers putty around the underside of the drain flange(25), instead of using washer(26).

Place the rubber washer(30) into the drain lever hole. Put another plastic washer(32) and retaining nut(33) into the long end of the ball lever rod(31). Insert the ball lever assembly into the drain lever hole and through the stopper hole, and tighten the retaining nut.

Be sure that the ball lever points to the back of the lavatory. Tighten the locknut(28) on the drain body. Remove any excess putty.

注意: 在锁紧螺母转紧后, 不可调整排水本体的位置, 否则会破坏油灰密封。

将提拉杆组件(35)插入到出水口后侧孔中, 并穿过联杆(37)的孔。用V形夹(38)将联杆接在球动杆(31)上, 把手捻螺丝(36)装到联杆(37)上。将球动杆往下推到排水器全开位置。调整提拉杆的高度, 使提拉杆头(34)底部距离安装台面10mm左右。拧紧手捻螺丝。把尾管(39)连接到去水弯管上。



NOTE: Do not reposition the drain after the locknut is tightened, or you may break the putty seal.

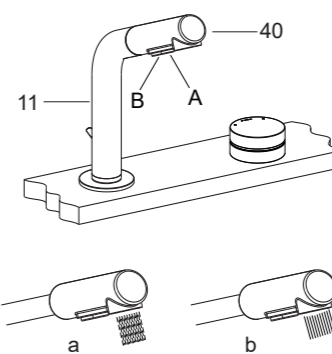
Insert the lift rod assembly(35) into the rear hole of spout. Slide lift rod into the hole in link(37). Connect the link onto ball lever rod(31) with "V" clip(38). Assemble thumb screw(36) to link(37). Push the ball lever rod down to the open position. Position the lift rod, make sure the bottom of the lift rod knob(34) beyond about 10mm from the lavatory table. Tighten thumb screw. Connect the tailpiece(39) to the trap.

使用说明

面对水龙头, 轻轻向前推动把手打开龙头, 向红标方向推动为热水, 向蓝标方向推动为冷水。

向上拉动出水口组件(11)可调整出水口高度。打开龙头, 可得到水流(a); 按下图中(A)处, 可得到水流(b); 按下图中(B)处, 可关闭水流。

需手持使用花洒(40)时, 取下花洒并拉出软管。**注意:** 不要用力过猛或拉出过长, 以免造成软管及接头损坏。



OPERATING INSTRUCTION

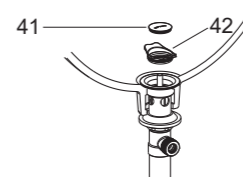
When facing front of the faucet, gently push the handle forward to open the faucet, the direction of the red dot is for hot water and the blue dot is for cold water.

Position the spout kit(11) height by lifting the spout. Turn on the faucet, the form of water as figure(a) shown. Press the button(A) as shown for figure(b) form of water flow. Press the button(B) as shown for the water close.

If you want to use the spray(40) by hand, take the spray and pull out the hose. **NOTE:** Please pull it gently and do not draw out the spray hose too long, or you may damage the hose and connector.

如何清理排水器

逆时针旋下排水器止水塞(41), 取出并清理滤网(42)。将滤网和止水塞重新装回。



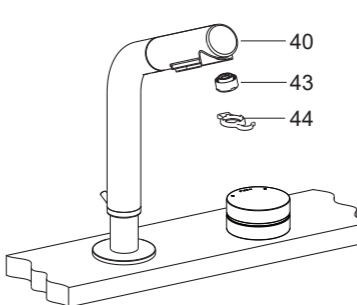
How to Clean the Drain

Turn counter-clockwise the drain stopper(41). Remove and clear filter(42). Reinstall the filter and stopper.

安装结果检查

检查并确保所有衔接处都已拧紧, 确保手柄在关的位置。打开主水源和排水系统, 检查并修理有漏水的接口。

将花洒(40)拆下, 用工具(44)将起泡器(43)拆下。打开水龙头, 让水流出约一分钟以清除杂质。冲洗花洒的滤网垫片及起泡器。关闭水龙头, 重新装回起泡器和花洒。



INSTALLATION CHECKOUT

Ensure that all coupling nuts are tight. Ensure that the handle is in the off position. Turn on the main water supply and drain, and check for leaks. Repair as needed.

Remove the spray(40). Remove the aerator (43) with the key(44). Turn on the faucet. Run hot and cold water for about one minute to remove any debris. Remove any debris from the filter washer and aerator. Shut off the faucet. Reinstall the aerator and spray.

清洗说明

适用于所有加工处理过的表面: 以中性肥皂水清洗镀层的表面, 再以干净的软布彻底擦干整个表面, 许多清洁剂, 比如氨水、去污粉及洁厕灵等, 会对电镀表面造成伤害, 切忌使用。

有磨损性的清洁用具或清洁剂也不可适用于科勒牌的水龙头及其配件上。

CLEANING INSTRUCTIONS

All Finishes: Clean the finish with mild soap and warm water. Wipe entire surface completely dry with clean soft cloth. Many cleaners may contain chemicals, such as ammonia, chlorine, toilet cleaner etc. which could adversely affect the finish and are not recommended for cleaning.

Do not use abrasive cleaners or solvents on Kohler faucets and fittings.